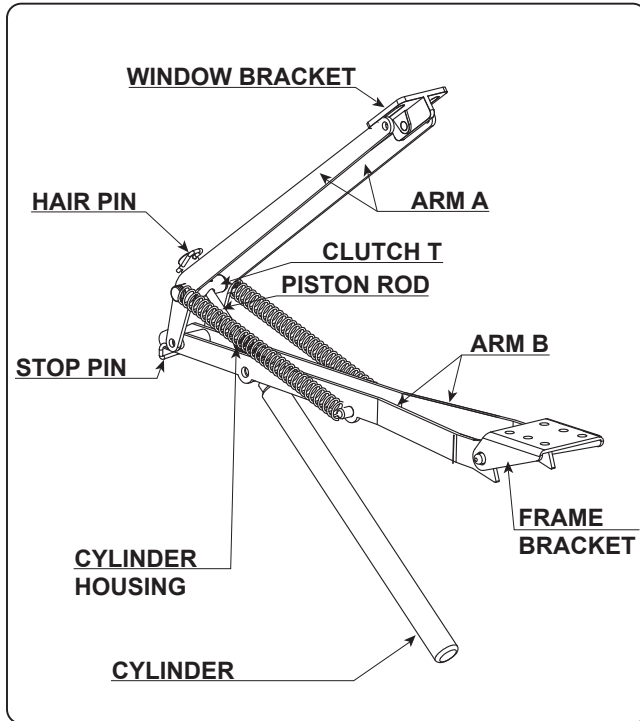


Model: **BRI-AUTO-OPNR**



**Please Note:**

1. Place the cylinder in a cool place for at least 30 minutes at a maximum temperature of 50° F or 10° C, in cold water or in a refrigerator.
2. Your automatic vent control is not to be used where temperatures will exceed 50° C or 122° F.
3. Ensure that your greenhouse window is able to open and is not obstructed to prevent damage.
4. Maximum window opening approximately 45 cm or 18 inches.
5. Maximum opening temperature at 30° C or 86° F depending on adjustment and load.
6. Opener is suitable for vents weighing up to 7 kg or 15 lb.

**Maintenance:**

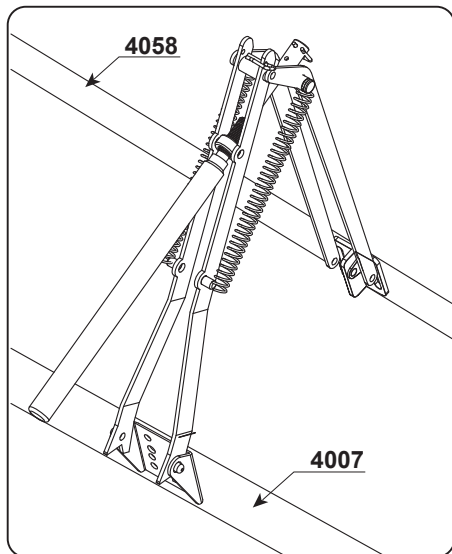
Lubricate all movable parts with a light oil after fitting, each spring and as required during the summer. Apply petroleum jelly or grease to the cylinder thread occasionally.

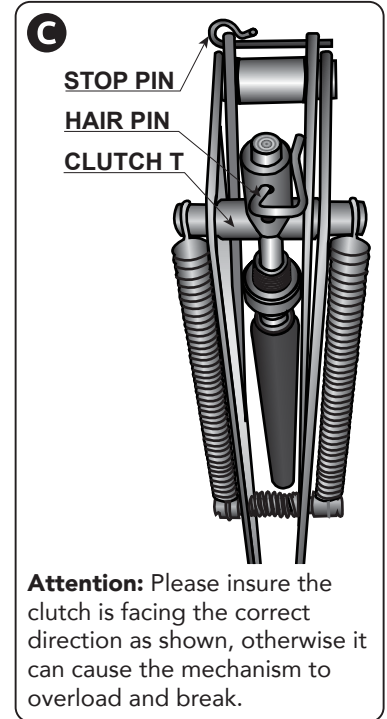
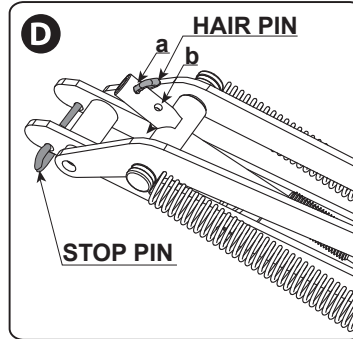
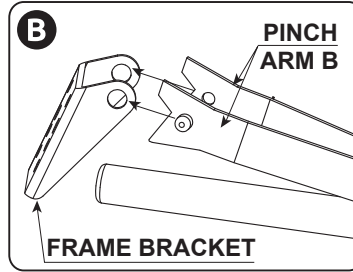
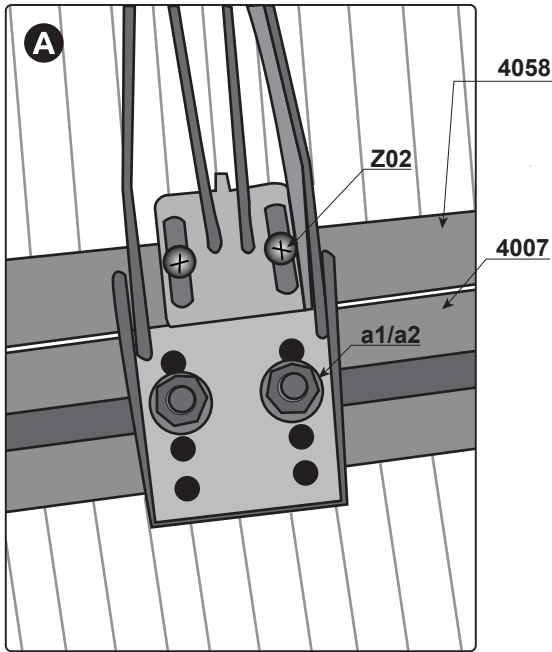
**Guarantee:**

A correctly fitted and used UNIVENT is guaranteed for 1 year provided that it has been fitted and maintained in accordance with the instructions.

**Winter Storage:**

It is recommended that your Univent or at least the cylinder is removed from your greenhouse for the winter. Store it in a dry place and do not forget to lubricate particularly the piston rod before remounting in the spring. Check that the piston rod moves smoothly.





1. There are pre drilled holes on the frame of the Brighton Greenhouse window vents for the auto opener window bracket to attach. See **A**. Use the **Z02** screws to attach the window bracket to the **4058 Frame** of your Brighton.
2. Apply gentle pressure by pinching the two pieces labeled **Arm B** to release the **Frame Bracket**. Prethread the **a1/a2** nut and bolt combo into the holes that will best fit your frame. Insert the bolt heads into the **4007 Track** and slide into place to align with the window bracket, tighten the nut and bolt combos. It will be easiest to keep the **Arm B** free from the frame bracket through installation.
3. Push the **Piston Rod** through the **Cylinder** housing into the **Clutch T**. The hole in the **Piston Rod** should be placed in line with hole **(a)** in the **Clutch T**, see **B**. The **Hair Pin** should slide into place as shown in **C**.

### Important

Do not fit the **Stop Pin** unless the **Hair Pin** has been inserted into hole **(a)**. See **D**.

Open the window sufficiently to allow you to screw the cylinder into the cylinder housing. Screw in the cylinder until the thread is equal length on both sides of the housing and then release the window. Reattach **Arm B** to the **Frame Bracket**.

### Adjustment

It is recommended that the auto opener be adjusted when the temperature in the greenhouse is constant. It takes some time for the opener to respond to the changed temperature. If you would like the opener to start opening the window at another temperature you will need to turn the cylinder:

**Clockwise:** for lower opening temperature

**Counter Clockwise:** for a higher opening temperature

One turn corresponds to approximately 1° F or .5° C in temperature. You should not overlook the fact that the temperature might vary in the same greenhouse from window to window.