



# GRANDIO

G R E E N H O U S E S

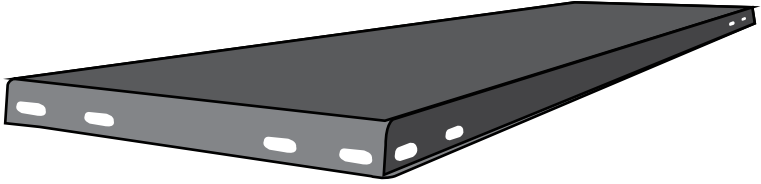
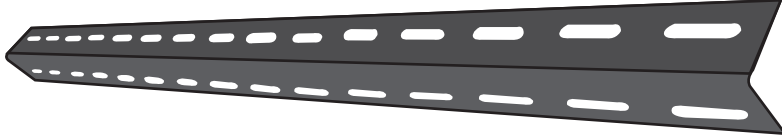
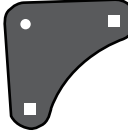



Model: **GRA-STAGE**



## **GREENHOUSE TWO TIER STAGING TABLE USER MANUAL**

© 2013 Grandio Greenhouses, Backyard Living Source Inc. All rights reserved.  
April 5, 2016 Manual Edition

# PARTS LIST

THG-01	PANEL	30x360x1100	2	
THG-02	LEG SUPPORTS	30x35x980	4	
THG-03	ANGLE SUPPORTS	75x75	16	
SO2	BOLT AND NUT	M6*10	50	
W11			1	
WRENCH	ALLEN WRENCH	4MM	1	

# INSTRUCTIONS

**1.1** Use the allen wrench and wrench to tighten the **S02** bolt and nut combination. Follow the diagrams to put your greenhouse table together.

**1.2** Attach **THG-03**, **THG-01** to the **THG-02** connect using the provided **S02** bolts and nuts as shown in diagram. Note that the **THG-01** goes inside. Install the **THG-02** goes over the **THG-03** as shown in the diagram.

**1.3** Repeat these steps on all (8) corners of your table, then double check all **S02** nut and bolt combinations are tight.

