



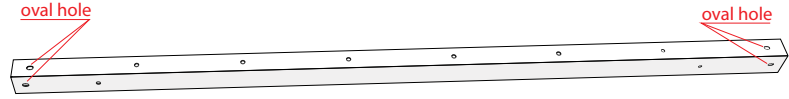


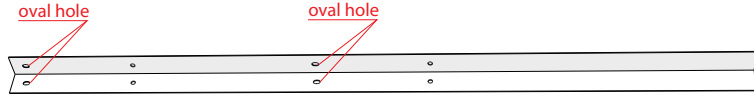




GRANDIO[®]
GREENHOUSES

Model: **GRA-BENCH**

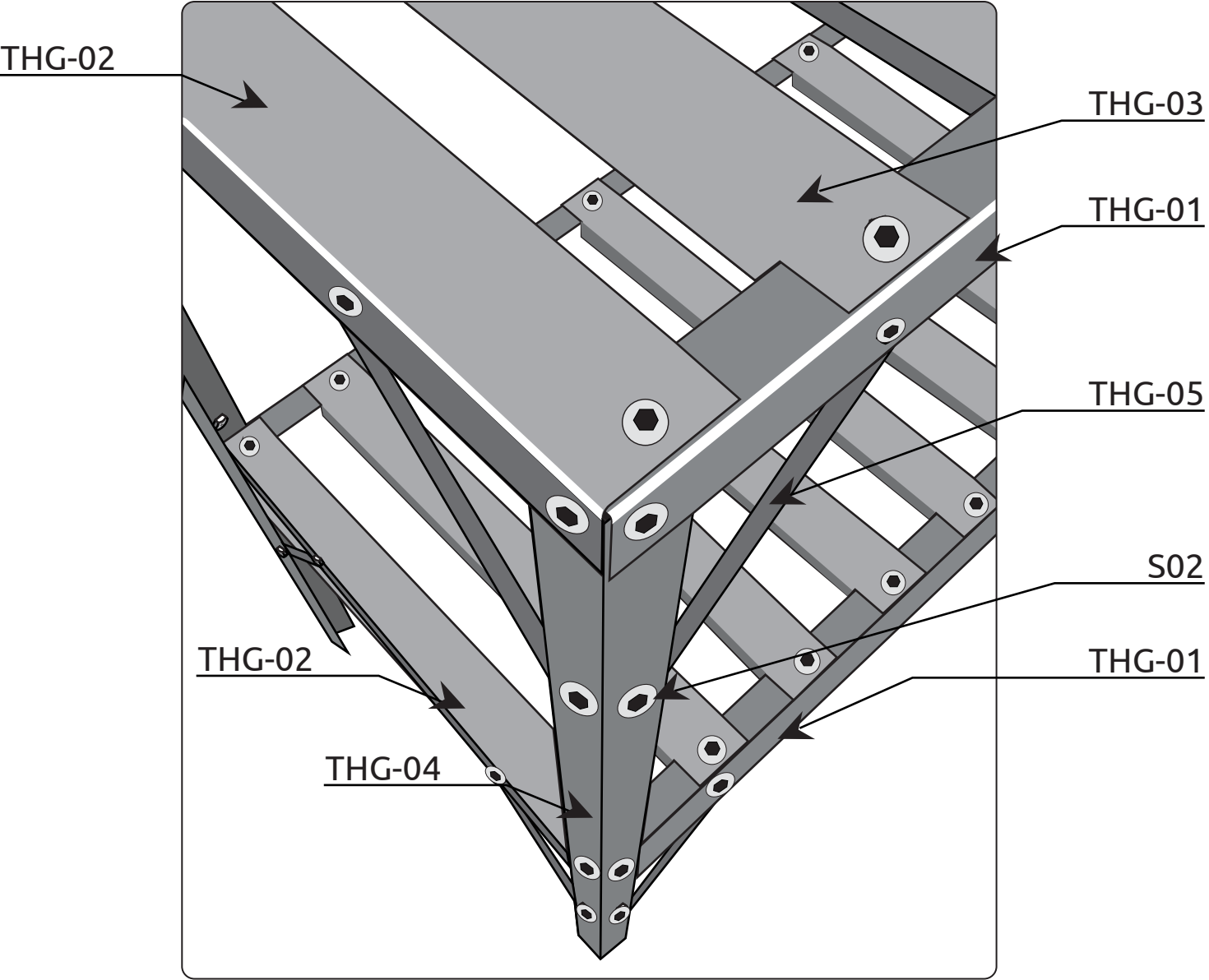


**GREENHOUSE
TWO TIER POTTING BENCH
USER MANUAL**

PARTS LIST

THG-01	SIDE SUPPORTS	20x30x1100	4	
THG-02	END CROSSBEAM	20x30x500	4	
THG-03	MIDDLE CONNECTOR	20x20x500	18	
THG-04	LEG SUPPORTS	L30x980	4	
THG-05	END SUPPORTS	20x180	16	
SO2	BOLT AND NUT	M6*10	93	
WRENCH	ALLEN WRENCH	4MM	1	
W11			1	

DIAGRAM



INSTRUCTIONS

1.1 Use a 10mm nut driver or wrench and the allen wrench to tighten the **S02** bolt and nut combination. Follow the diagrams to put your potting bench together.

1.2 Attach **THG-04** to the inside of **THG-01** and the **THG-02** using the provided bolts and nuts as shown in diagram **A** for the top level. Note that the **THG-01** goes under the **THG-02**, and the **THG-04** will go on the outside on the lower level, see **B**.

1.3 Attach the (18) **THG-03's** to the (4) **THG-01's** with the **S02** nuts and bolts as shown in **B**, note that they will rest on top of the **THG-01** on both levels of the shelf.

1.4 Attach the (16) **THG-05** brackets as shown with the **S02** bolt and nut combination note that they will look best installed on the inside of the **THG-01**, **THG-02** and **THG-04**.

