

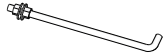


GRANDIO®

G R E E N H O U S E S

EARTH & GRASS L-BOLT ANCHORING KIT

L-BOLT ANCHORING KIT PARTS LIST

GRAPHIC	PART NAME	6X4	6X8	6X12	8X8	8X12	8X16	8X20	8X24
	BA-A1 / 12" L-BOLT	8	10	12	10	12	14	16	18

ADDITIONAL ITEMS NEEDED:

- BUBBLE LEVEL
- SPRAY PAINT
- TAPE MEASURE
- SHOVEL
- 3/4" WRENCH OR SOCKET TO TIGHTEN NUTS
- QUICKRETE OR CONCRETE MATERIAL TO FILL IN HOLES

GRANDIO L-BOLT GROUND ANCHORING KIT PREPARATION

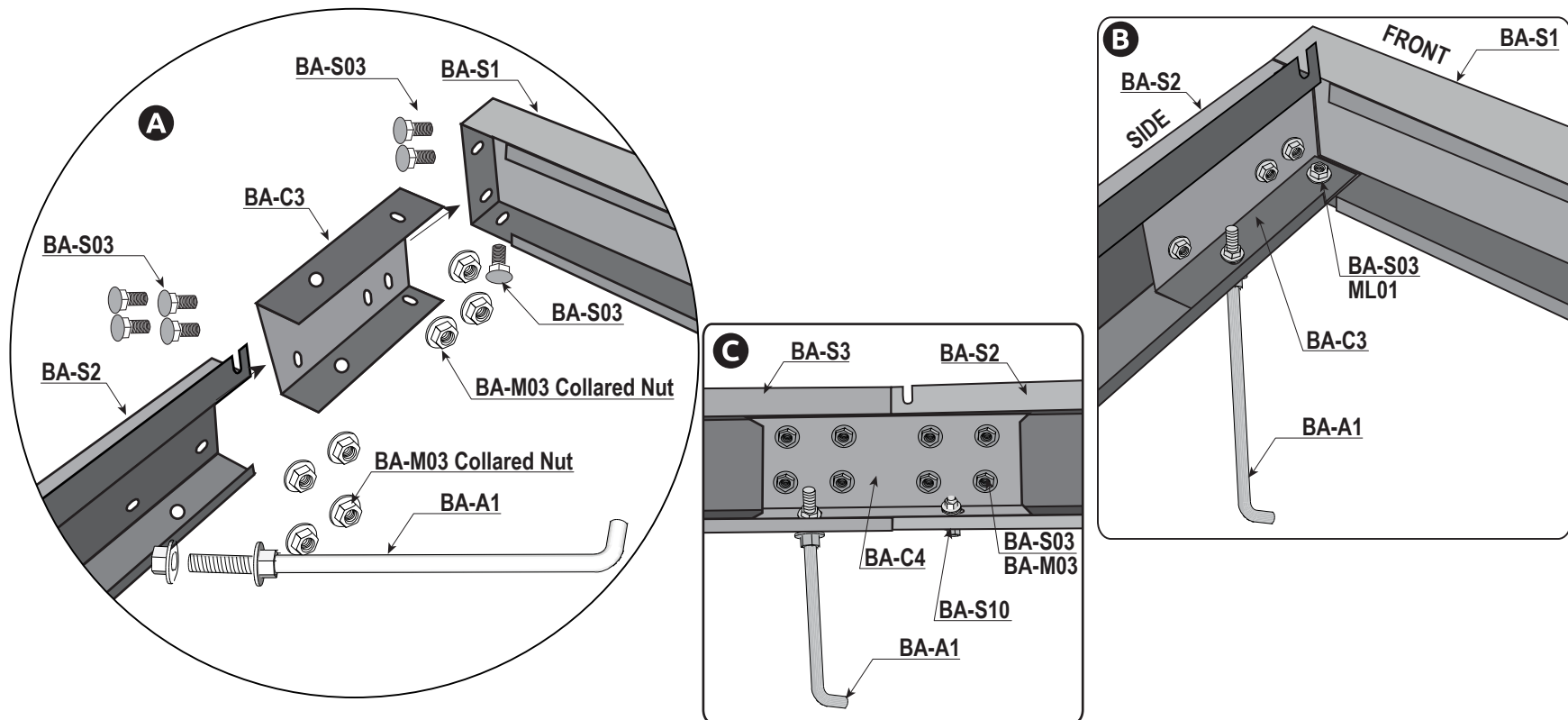
There are a few things every foundation should provide:

- 1.** Your foundation must be securely anchored to the ground (Wind gusts can move or turn over a greenhouse because of its low weight to surface area ratio). Before you start any foundation, you should know the greenhouse's outside base dimensions. The dimensions are listed in the Grandio Manual for each size base kit. Be sure to prepare and level your surface prior to installation.
- 2.** There must be a way for water to drain out of the greenhouse (If water doesn't drain, it will collect on the floor and become stagnant promoting algae, disease, and insect growth). You may want to treat your ground for weeds and grass weeks prior to installing the base kit, and may consider applying weed barrier also. Plan for drainage using gravel or rocks that may be applied to the interior floor of your greenhouse to keep puddles from forming.
- 3.** Measures should be taken to prevent weeds and grass from growing on the greenhouse floor (Greenhouses provide optimum conditions for weeds to grow along with your other plants. Weeds can harbor harmful insects and diseases and should be kept out of the greenhouse).
- 4.** Assemble your Grandio Base Kit according to the instructions in your greenhouse manual. The dimensions are also listed in the manual for each size base kit so you may plan accordingly.
- 5.** You will need to install your **BA-A1 / L-Bolts** and **BA-S10** bolts into the appropriate holes for your greenhouse base installation. Follow the steps for installing your anchor **BA-A1 / L-Bolts** and **BA-S10** on the next page.

BASE KIT ASSEMBLY INSTRUCTIONS

1.1 For Ground or Earth Installation only Insert the **BA-S03** and the **BA-A1 / L-Bolts** into the appropriate base kit holes, note that there are nuts on the both the ground side of the **BA-A1 / L-Bolts** and on the inside of the base kit to assist in leveling the greenhouse base after installation, see **A**. Attach the nuts on the inside of the base to the **BA-S03** and **BA-A1**, see **B**. You will install the **BA-A1 / L-Bolts** and the **BA-S10** in the middle where the extensions meet at the **BA-C4's** see **C**. There are enough **BA-A1 / L-Bolts** for every hole in the base kit to secure the base kit to the ground surface.

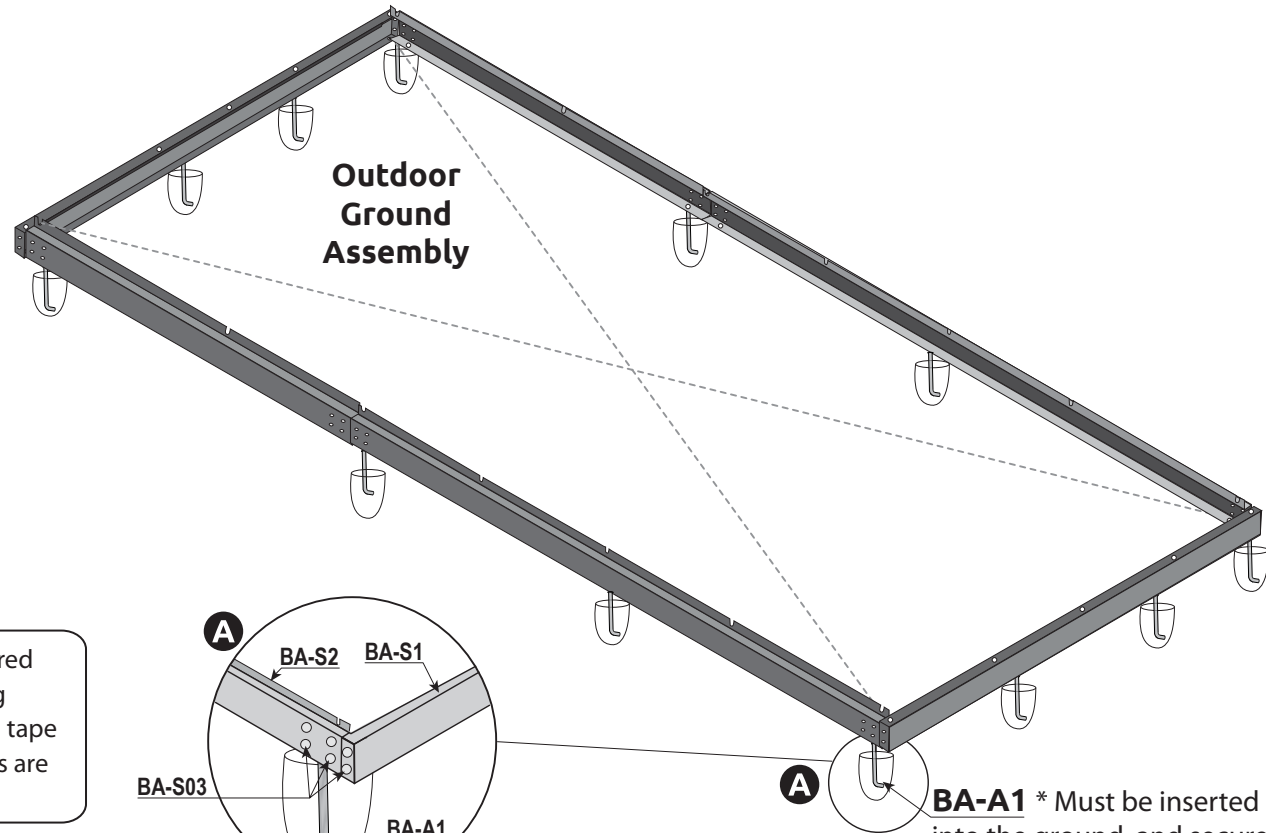
*Note that the Base Kit and all hardware will be in your base kit box for an 8x8, and the 4x or 8x extension base pieces and hardware will be in with each extension aluminum box set. The **BA-A1 / L-Bolts** will come with this kit for the size of greenhouse you have specifically ordered.



BASE KIT GROUND INSTALLATION

1.2 BA-A1 must be buried in ground. See A. Lay your Base Kit into place, then measure corner to corner for square. Once you have aligned and squared your base into the desired location, mark the earth/ground surface with spray paint where holes will be dug out. Move the base kit out of your way to allow for room to dig your holes and remove the dirt. Keep the base and **BA-A1's** aligned with the holes they will go back into for quicker installation and to test level and depth of hole to assist in leveling.

1.3 Dig out all holes with a shovel or post hole digger to fit the **BA-A1 / L-Bolts**. The holes should be about 6" around in diameter by about 12"-14" deep. Insert the **BA-A1 / L-Bolts** into the holes and align using your bubble level to square the base. You may need to turn the nut combos up or down on the **BA-A1 / L-Bolts** to assist in leveling your base kit.



GRANDIO TIP Make sure base is squared and level before setting anchor into concrete. Use a measuring tape to ensure all corner to corner measures are the same. Use level on all four sides.

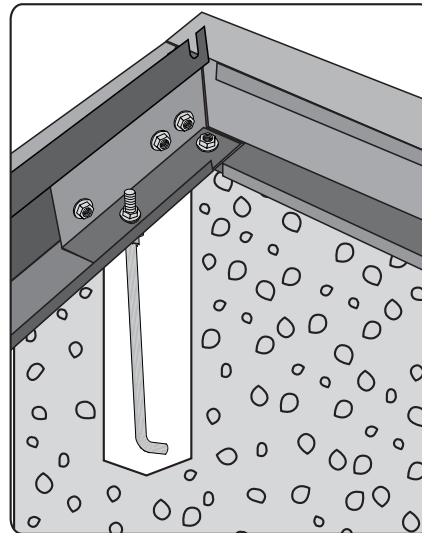
BA-A1 * Must be inserted into the ground, and secured with concrete setting material.

GRANDIO L-BOLT ANCHORING KIT INSTALLATION

We recommend you use: Quikrete or similar fast setting concrete material to anchor your base. Follow the directions on the package you purchase and see the manufacturers recommendations for quantities needed to anchor your base kit into the ground.

- 1.** Follow the directions on your bag of concrete or quikrete material. Be careful to not get the mixture on your base kit, if you do clean it off immediately before it dries to keep your base kit looking nice.
- 2.** Check every hour that the base has not shifted and is maintaining square and level while the mixture is drying.
- 3.** If the base has shifted off level you may adjust the (2) nuts on each of the **BA-A1's** to get the base back on level by moving up or down.

Once the base kit with the quikrete has fully cured into place you may want to back fill with a preferred rock, gravel or dirt material to assist in drainage inside your greenhouse floor. It is important to be sure there are no air gaps between the base and earth. If wind is able to blow under the greenhouse base kit it may cause greenhouse to fill with air and cause damage to the greenhouse.





GRANDIO[®]

G R E E N H O U S E S

Grandio BA-A1 / L-Bolt Anchoring Kit For Element, Ascent and Elite Greenhouses with Base Kits

INSTALLATION MANUAL KEEP IN A SAFE PLACE FOR REFERENCE

CONTACT US IF YOU NEED HELP
OR
HAVE MISSING OR DAMAGED PARTS

GRANDIOGREENHOUSES.COM

**BACKYARD LIVING SOURCE, INC.
9543 W. EMERALD ST., SUITE 101
BOISE, ID 83704
1-866-448-8231**